



Adapter Technology

ADAPTER-24W

Green Mode

Meet CEC Regulations & RoHS Compliance



FEATURE

Wallmonut US Type	
Input range	90-264V/47~63Hz
Output	5V~24V/1A~4A(24W max.)
Efficiency	76% typical
Protection	Short circuit protection/Over voltage protection/Over current protection
Load regulation	±5%
Leakage current	Less than 0.25mA
M.T.B.F.	50,000 hours min. at 25°C, full load
Cable type	UL2468/18AWG
Dimension	72X34X70mm
Weight(reference)	175g
Application	Network equipment , Wireless product, Portable equipment

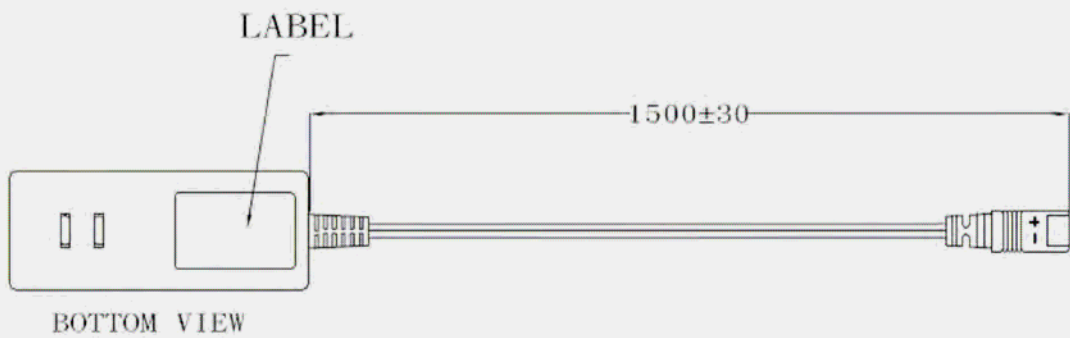
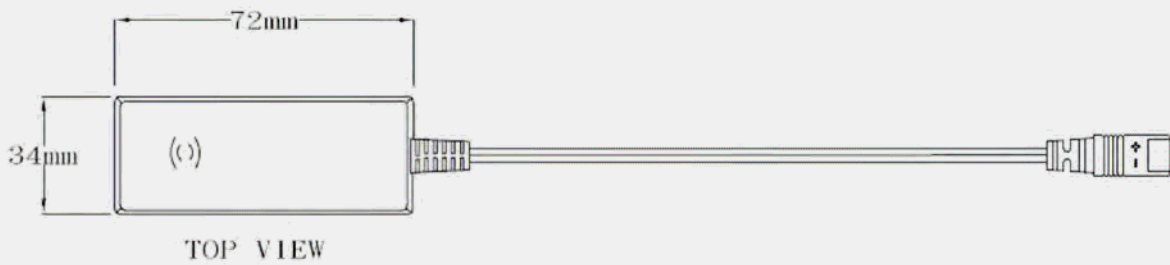
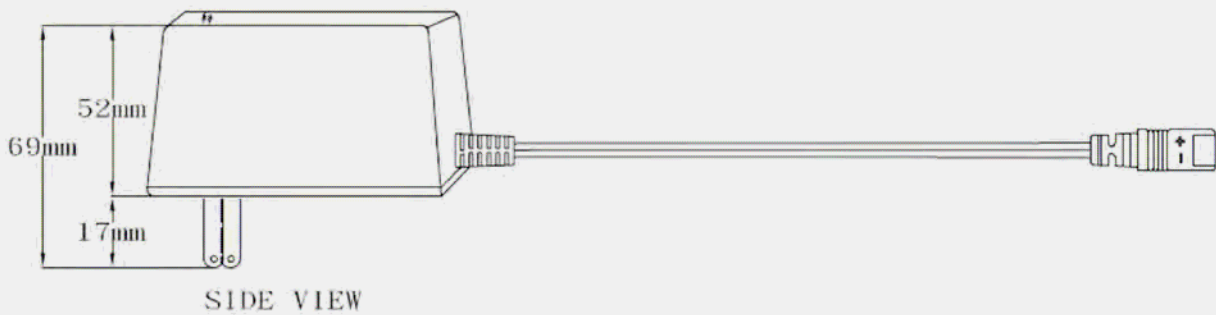
Safety& EMI

Safety	UL/cUL/GS/CB/PSE/BSMI
EMI	CE Class B , conduction & Radiation MEET
Environmental	
Operating temperature	0~+40°C
Storage Temperature	-20~+60°C
Relative Humidity	(operating)20~80%RH/(storage)10~90%RH

RULE OF THE MODEL NAME

NO	MODEL NAME	Voltage(V)	Current(A)	Power(W)
1	STD-05040E	5	4	20
2	STD-12020E	12	2	24
3	STD-24010E	24	1	24

MECHANICAL DRAWING



INTERCHANGEABLE DC CONNECTOR

NO	OD	ID	Length
1	6.5	1.4	10.5
2	6.3	3	10.5
3	5.5	2.5	10.5
4	5.5	2.1	10.5
5	4.75	1.7	9.5